

Issue No: Q-A6G-006

Issue Date: October 2022

For the Attention of: Dealer Principal, Aftersales Manager, Service Manager and Service Department

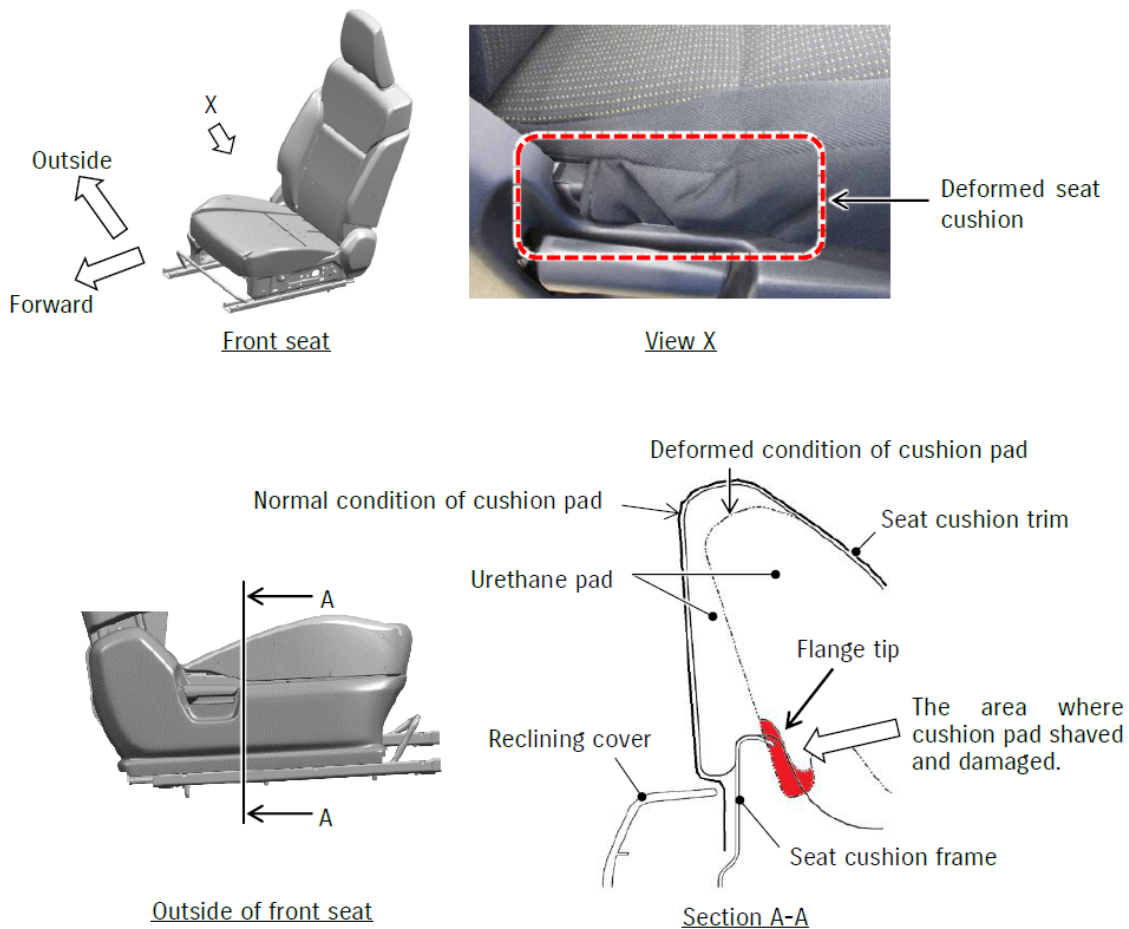
Subject: Repair method for front seat cushion pad damage caused by seat cushion frame

Applicable Model: JIMNY (A6G415)

This bulletin is to inform you of a modified part available for the Jimny Seat cushion.

1. CONDITION / DESCRIPTION

Repeated loading on the outside of front seat cushion may damage the urethane pads inside the seat cushion and deform the outside of the seat cushion.

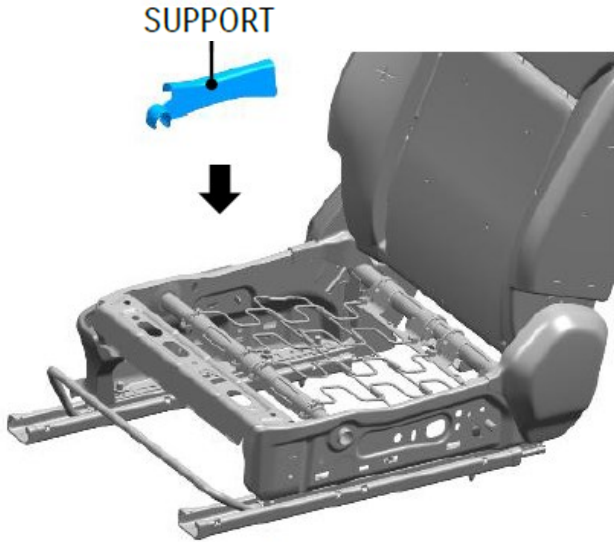


For Dealer Use

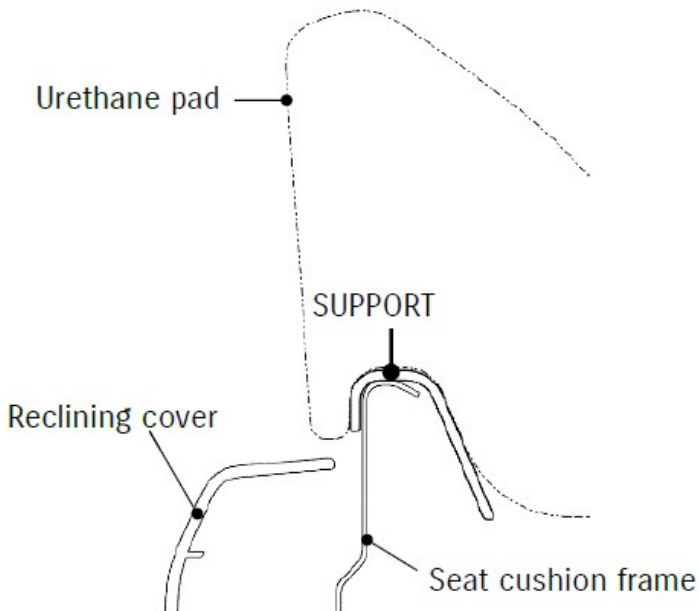
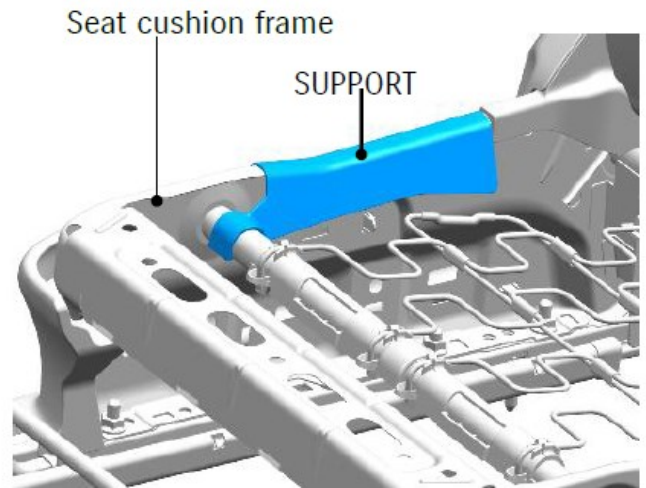
CIRC	Dealer Principal	Sales Dept	Service Dept	Parts Dept
DATE				

2. CORRECTIVE ACTION

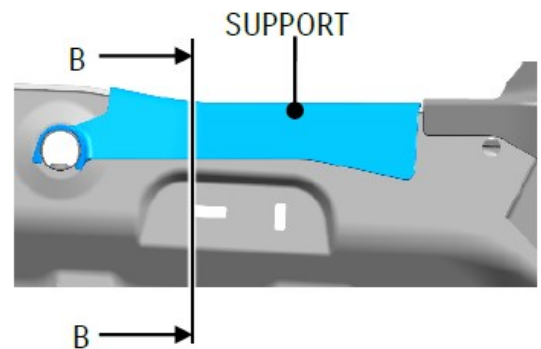
The resin SUPPORT has been added on the outside of the seat cushion frame to prevent the urethane pad from being damaged.



Front seat



Section B-B



View Y

For Dealer Use

CIRC	Dealer Principal	Sales Dept	Service Dept	Parts Dept
DATE				

3. PART INFORMATION

Part Name	Part No.	Per/Unit	Remarks
SUPPORT,FR CUSH PAD LOWER,R	85226-78R00	1	For right front seat
SUPPORT,FR CUSH PAD LOWER,L	85726-78R00		For left front seat

4. EFFECTIVE START VIN FOR PRODUCTION

Affected VIN	Date
JSAGJB74V00174109	4/10/2021
JSAHJB74B00110871	

5. REPAIR PROCEDURE

If you receive a complaint about the condition above, install the resin SUPPORT listed in the "3.PART INFORMATION" to the seat cushion frame.

[PROCEDURE ON FOLLOWING PAGE]

Check the specifications of the deformed front seat (Presence or absence of seat heater and sensor) and prepare a new front cushion pad. Then, follow the instructions in the appropriate Service Manual to remove and install each component.

For Dealer Use

CIRC	Dealer Principal	Sales Dept	Service Dept	Parts Dept
DATE				

No.	Procedure
1	Remove the front seat cushion trim from the deformed front seat.
2	Remove the front seat cushion pad from the deformed front seat. (Also remove the harness coupler on the front seat where the seat heater or sensor are installed.)
3	<p>Install the resin SUPPORT to the seat cushion frame as shown in the figure below.</p> <p>The diagram illustrates the installation of a resin support. On the left, a front seat is shown with an arrow pointing to the 'Outside' edge. A blue resin support part is shown above it. An arrow points to the right, where a close-up of the 'Seat cushion frame' is shown with the blue resin support installed on top.</p>
4	Install new front seat cushion pad to the front seat. (Also install the harness coupler on the front seat where the seat heater or sensor are installed.)
5	Install the front cushion trim to the front seat.

CIRC	Dealer Principal	Sales Dept	Service Dept	Parts Dept
DATE				